





FORKS

DENTATE AND EDENTULOUS FACEBOW

	
Adjustable Edentulous Fork (Standard facial arch)	Elite Edentulous Fork (Elite Facial Arch)
	
Dentate fork (Standard facial arch)	Elite Dentate Fork (Elite Facial Arch)



USER GUIDE

Contents

1 - Introduction.....	01
2 - Package Contents.....	01
3 - Installation and instructions for use.....	02
4 - Troubleshooting.....	04
5 - Maintenance and cleaning.....	05
6 - Technical Specifications.....	05
7 - Symbology.....	06
8 - Terms of warranty and technical assistance.....	06
9 - Authorized Technical Assistance.....	07
10 - Authorized Representative in Europe.....	07

Introduction

The forks are accessories for use in Face Arches and are available in 4 models:

- 1) Adjustable Edentulous Fork (Conti type):** is an accessory recommended for use with the Standard Facial Arch model. This fork has two adjustable tabs for adaptation on the wax plane during the process of making dental full dentures.
- 2) Elite Edentulous Fork:** is a recommended accessory for use with the Elite Facial Arch model. This fork has two fixed tabs for adaptation on the wax plane during the process of making dental full dentures.
- 3) Dentate Fork (Standard):** This accessory has flat, fixed tabs with a useful area suitable for seating and marking the upper dental arch during the registration process with the Standard Facial Arch.
- 4) Dentate Fork (Elite):** This accessory has flat, fixed tabs with a useful area suitable for seating and marking the upper dental arch during the registration process with the Elite Facial Arch.

In the event of any serious incident occurring in relation to the device, the user and/or patient must notify Bio-Art Equipamentos Odontológicos Ltda and the competent authority of their country.

2 Package Contents

- Adjustable Edentulous Fork (Conti): 1(un) Edentulous fork, 1(un) 2.5mm Allen key and instruction manual.
- Elite Edentulous Fork: 1(un) Edentulous fork and instruction manual.
- Dentate fork (Standard): 1(un) Edentulous fork and instruction manual.
- Elite Dentate Fork: 1(un) Edentulous fork and instruction manual.

Installation and instructions for use



Note: This manual contains only basic and simplified information regarding the product, which is not a substitute for proper course and training. The Dentate and Edentulous Forks, whether for use with the Standard or Elite Facial Arch, are accessories intended for use only by specially qualified professionals in the area, who are fully responsible for the technique used.

Image 1: Adjustable Edentulous Fork (Conti) being mounted on the Standard Facial Arch: The adjustment and fixing of the flaps is done through the 2.5mm Allen key that comes with the product, as shown below:

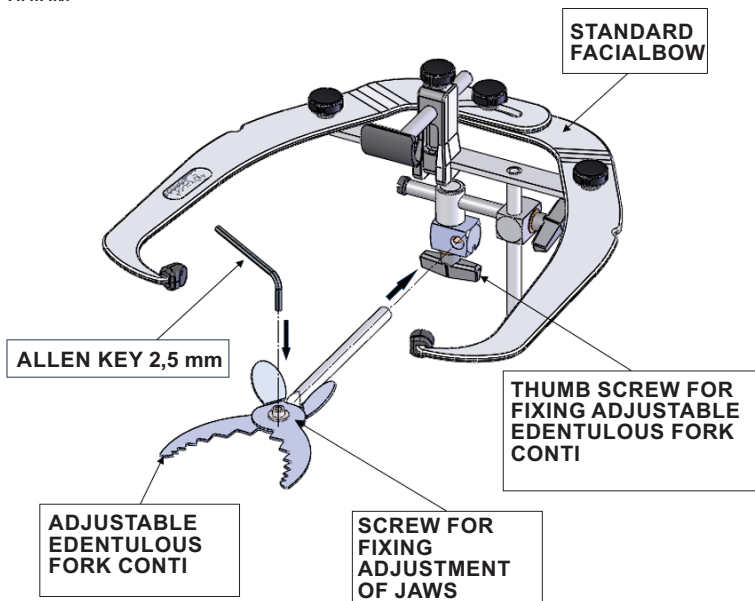


Image 2: Elite Edentulous Fork being mounted on the Elite Facial Arch: the fork is fixed by tightening the arch fixing screw.

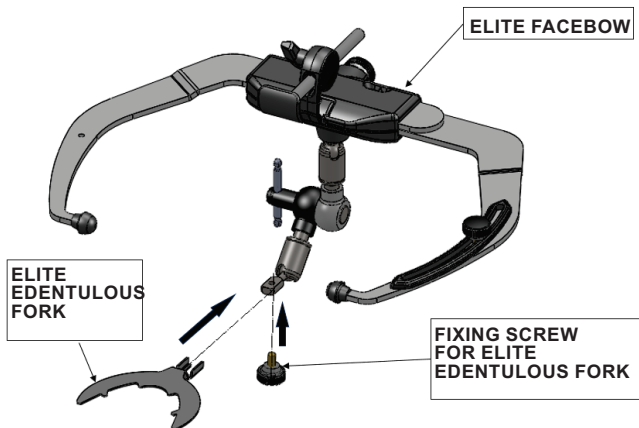


Image 3: Dentate Fork being mounted on the Standard Face Bow: the fork is fixed by tightening the bow clamping throttle.

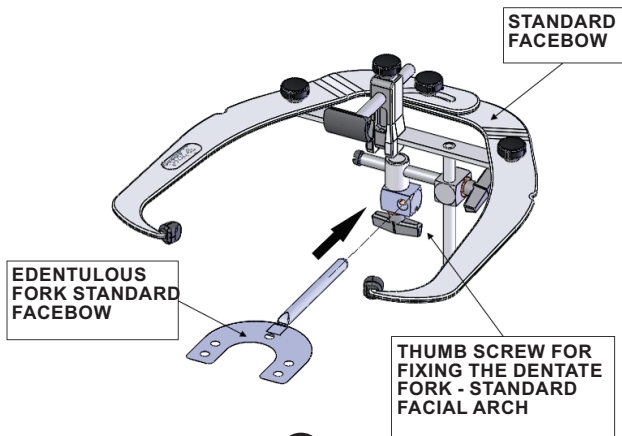
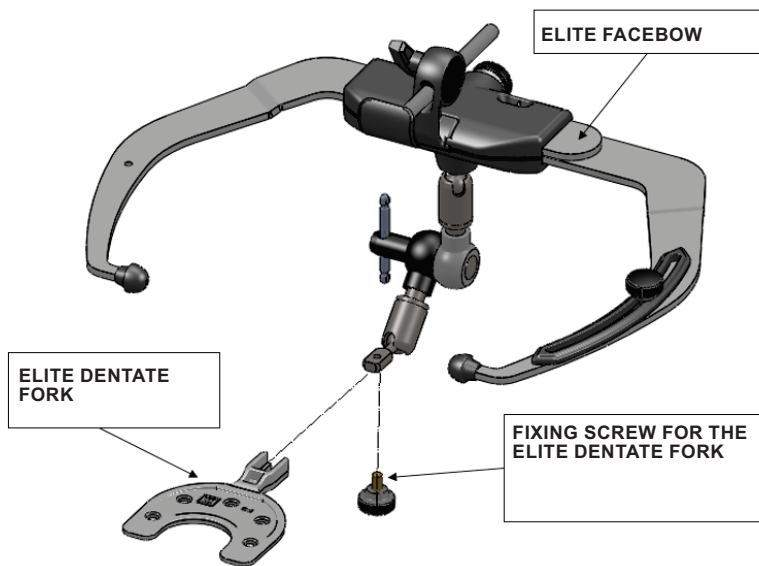


Image 4: Elite Dentate Fork being fitted to the Elite Face Arch: attachment of the fork is by tightening the arch attachment lever.



4 Troubleshooting

PROBLEMS	POSSIBLE CAUSE	SOLUTION
Difficulty in tightening and/or releasing the Fork tabs.	Debris, dirt, or rust on the clamping screw of the jaws.	Always keep the clamping screw and the thread of the flaps clean and lightly lubricated with neutral lubricant.
Difficulties in tightening and fixing the flaps.	Damaged threads of the fixing screw or claws.	Replace the screw, contact the Bio-Art Authorized Technical Assistance network.

5 Maintenance and Cleaning













1. Only use a dry cloth and detergent to clean the forks. Do not use solvents or chemicals;
2. Do not use metallic or sharp objects to clean any part, if necessary use a plastic spatula.
3. Lubricate where necessary the threads of the flap fixing screw with a small amount of neutral lubricant, removing the excess;
4. Always sterilize the fork (chemically or autoclave) before use. **ATTENTION:** the Elite Dentate Fork, because it is made of polycarbonate, must not be autoclaved at temperatures above 121°C.
5. In case of damage always seek an Authorized Technical Assistance.

6 Technical Specifications

Main materials used in manufacturing:

- 1) **Adjustable Edentulous Fork (Conti):** Flaps, washer and fixing screw: Stainless Steel SAE-304. Allen Key 2.5mm: Carbon steel with nickel-plated surface finish.
- 2) **Elite Edentulous Fork:** Stainless Steel SAE-304
- 3) **Dentate fork (Standard):** Stainless Steel SAE-304
- 4) **Elite Dentate Fork:** Polycarbonate with fiberglass.

7 Symbology

 <i>See Instructions for Use</i>	 <i>Warning!</i>	 <i>Serial number</i>	 <i>Model code</i>
 <i>Authorized Representative in the European Community</i>	 <i>Manufacturing date</i>	 <i>Manufacturer's data</i>	 <i>Keep in a dry place</i>
 <i>This side up</i>	 <i>Fragile</i>	 <i>Maximum stacking</i>	 <i>Medical Device</i>

8 Warranty Term and Technical Assistance

BIO-ART Equipamentos Odontológica Ltda. provides a one (1) year warranty for this product from the date of purchase. This warranty covers any and all defects in workmanship and is carried out by repairing the equipment subject to the following requirements:

- That the product has been used correctly, in accordance with the instructions described in the instruction manual;
- The complaint is accompanied by the relevant purchase invoice and registered within the warranty period, followed by a report describing the defect and the serial number of the product;
- The product is used, transported and stored with care;
- The transportation cost (round trip) is paid by the customer;

Warranty Limitations:

- Natural wear of parts;
- Misuse, falls or accidents;
- Inadequate transportation;
- Repair by non-authorized people;
- Use not in compliance with the characteristics and the purpose of the product;
- Wear due to exposure to adverse conditions (humidity, cold and intense heat);
- Damages due to lack of cleaning or maintenance with improper products.



In case of doubts, refer to the manufacturer:

BIO-ART EQUIPAMENTOS ODONTOLÓGICOS LTDA

Rua Teotônio Vilela, 120 - Jardim Tangará

CEP 13568-000 - São Carlos - SP - Brasil

Tel. +55 (16) 3371-6502

CNPJ 58.538.372/0001-56 - Insc. Estadual 637.034.447.113

www.bioart.com.br

9 Authorized Technical Assistance

For your safety, this product should be serviced by authorized persons / companies. See the Authorized Technical Assistance stations on our website: www.bioart.com.br

10 Authorized Representative in Europe

Obelis s.a.

Boulevard Général Wahis 53

1030 Brussels, BELGIUM

Tel: +(32) 2.732.59.54

Fax: +(32) 2.732.60.03

E-mail: mail@obelis.net





**Rua Teotônio Vilela, 120 - Jardim Tangará - CEP 13568-000
São Carlos (SP) - Brasil - Tel. +55 (16) 3371-6502
www.bioart.com.br - [@bioart_soluções_inteligentes](https://www.instagram.com/bioart_solucoes_inteligentes)**
